

# Ethernet Over Coax Extender Transmitter & Receiver



\*Transmitter & Receiver sold separately

Innovative enhanced Power over Ethernet (ePoE) technology offers a plug-and-play solution to transmit power and data over long distances via ethernet or coaxial cables, reducing installation time and saving money. ePoE technology is a viable, cost-effective solution for extending transmission distances and for converting existing, coax-based analog systems into IP systems.

For video security and surveillance installers, ePoE technology reduces overall cabling requirements, allowing for existing coax cable to be used, and minimizing the number of peripheral devices needed.

Transmit power and data up to 1000m (3281ft) over RG59 coaxial cable. ePoE technology seamlessly integrates the latest high-definition IP cameras with a coaxial infrastructure using the Ethernet over Coaxial (EoC) protocol to convert between analog and IP power and data transmissions.

## FEATURES

- Converts between CAT5E/CAT6 and Coaxial Cable Transmission
- Extends Ethernet over Coax Long-distance Transmission to non ePoE-enabled Edge or Head-end Devices.
- Supports PoE Transmission, up to 1000 m (3280 ft)
- Supports IEEE802.3, IEEE802.3u standards.



Plug & Play



Long Distance  
ePoE



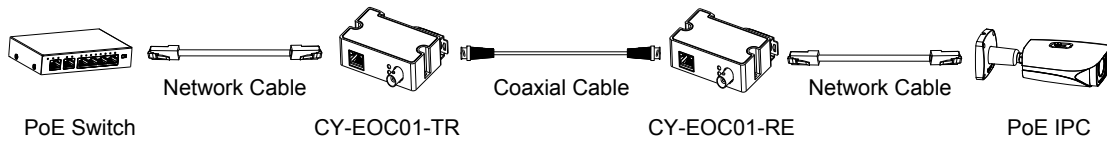
100Mbps  
Transmission



Wide Working  
Temperature

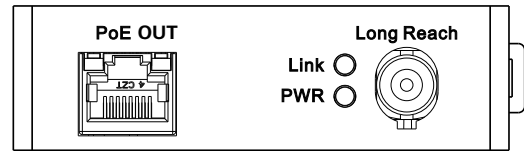
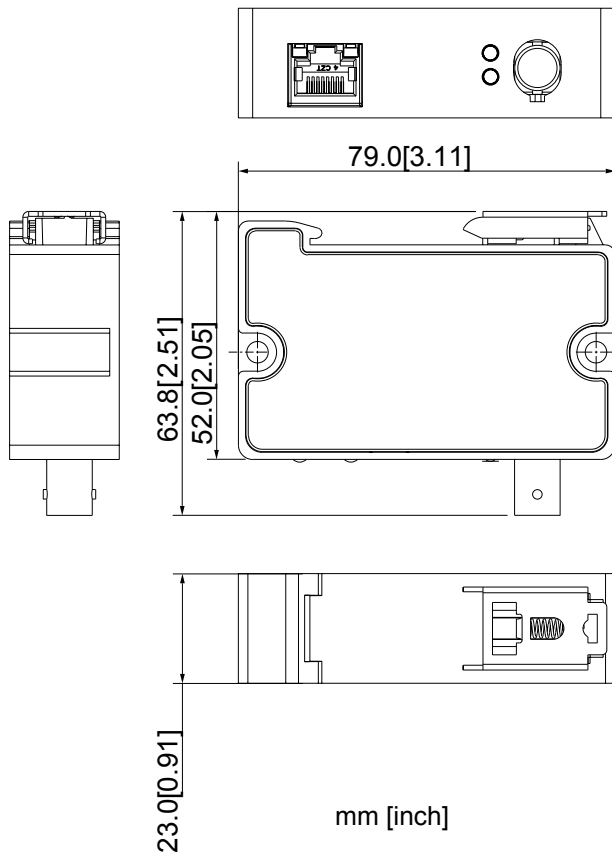
HARDWARE		
Model	CY-EOC01-TR	CY-EOC01-RE
Function Port	1*10/100 Mbps Base-TX 1*BNC	
Power Consumption	<2W	
Transmission Bandwidth	RG59 coaxial cable: 400m/100Mbps, 1000m/10Mbps	
PoE Protocol	48V Passive PoE (Pairs 1, 2+; 3, 6 Return)	
Network Standard	IEEE802.3, IEEE802.3u, IEEE802.3x	
Lightning Protection	Common Mode 4KV Differential Mode 2KV	
Operating Temperature	-30°C to 65°C (-22°F to 149 °F)	
Operating Humidity	5%–95%	
Weight	61 g (0.13 lb)	
Dimension (WxDxH)	79mm × 52mm × 23mm (3.11" × 2.05" × 0.91")	

TRANSMISSION PERFORMANCE:			
Take RG59 as an example (Max. DC resistance < 5.0Ω/100m)			
		Supports with 48V	Supports with 53V
100m	Bandwidth (Mbps)	100	100
	Load Capacity (W)	21	25.5
200m	Bandwidth (Mbps)	100	100
	Load Capacity (W)	15	24
300m	Bandwidth (Mbps)	100	100
	Load Capacity (W)	11	19
400m	Bandwidth (Mbps)	100	100
	Load Capacity (W)	9	16
500m	Bandwidth (Mbps)	10	10
	Load Capacity (W)	7	13
800m	Bandwidth (Mbps)	10	10
	Load Capacity (W)	5	8
1000m	Bandwidth (Mbps)	10	10
	Load Capacity (W)	4	6

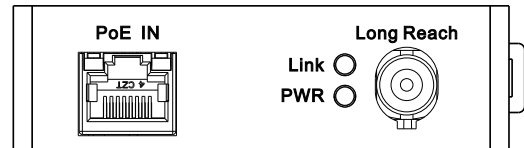


### DIMENSIONS (mm [inch])

### PANELS



CY-EOC01-TR  
TRANSMITTER



CY-EOC01-RE  
RECEIVER